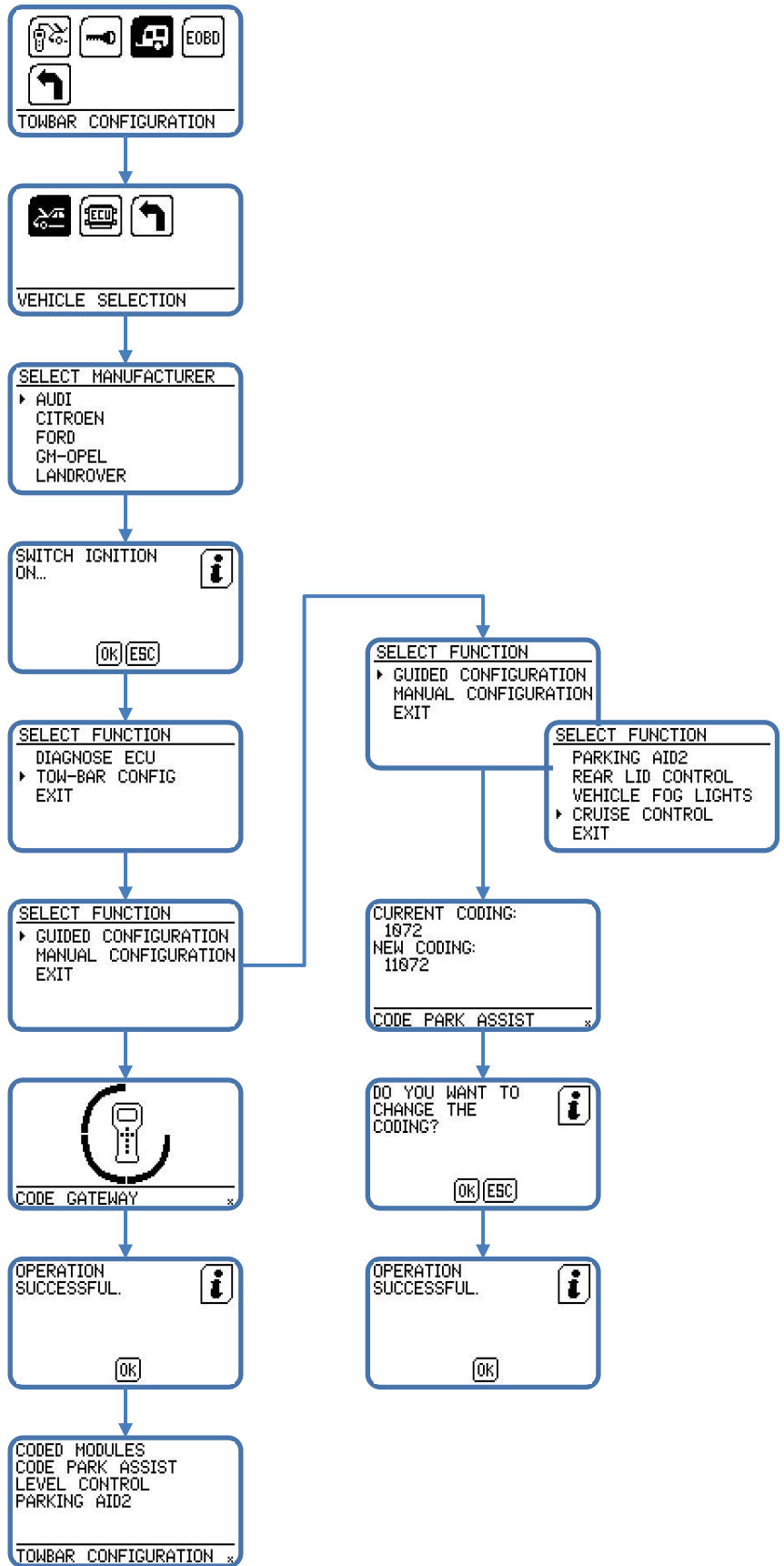


Auto Code Vehicle Flowcharts

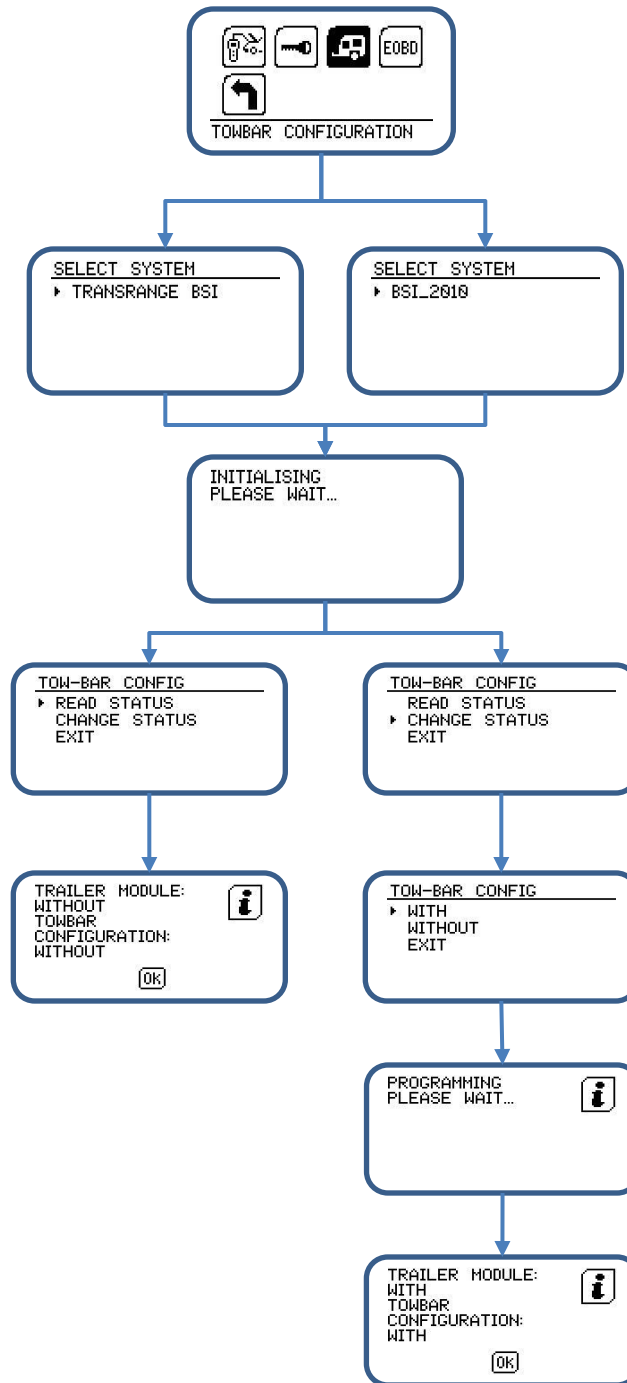
Table of Contents

Audi	...Page 3
Citroen	...Page 4
Ford Type 1	...Pages 5 & 6
Ford Type 2	
<i>(Galaxy 2015, Mondeo 2015, Ranger 2016, S-Max 2015)</i>	...Pages 7 & 8
Jaguar	...Pages 9 & 10
Land Rover Type 1	...Page 11
Land Rover Type 2	...Page 12 & 13
Mercedes CGW	...Page 14
Mercedes EZS	...Page 15
Mercedes EZS 2	...Page 16
Peugeot	...Page 17
Seat	...Page 18
Skoda	...Page 19
Vauxhall/Opel IPC	...Page 20
Vauxhall/Opel REC	...Page 21
Vauxhall/Opel TCM	...Page 22
Volkswagen	...Page 23

Audi



Citroen

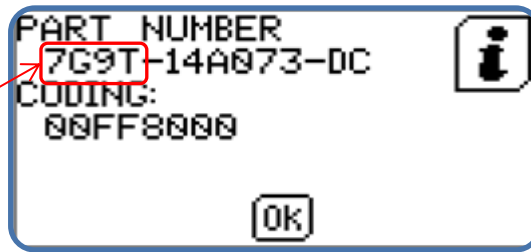


Ford Type 1

Note: Also applies to
Land Rover Freelander

6C1T, 6G9T, 7G9T,
8C1T, AB39, AG9T,
AV6N, BG9T, BK2T,
BV6N, CC1T, DB39,
DV6T, F1DT, F1FT

Switch Ignition On



IT IS STRONGLY
RECOMMENDED THAT A
BATTERY SUPPORT UNIT
IS ATTACHED TO THE
VEHICLE BEFORE
CONTINUING WITH THIS
BATTERY SUPPORT



SELECT FUNCTION
▶ SET CODING
WRITE BACKUP DATA
EXIT

PLEASE ENTER THE
VEHICLE
IDENTIFICATION
NUMBER (VIN)

OK

BCDEFGH J
KLMN P RST
UVWXYZ
0 123456789

WFO 063
BCDEFGH J
KLMN P RST
UVWXYZ
0 123456789

SHUTTING DOWN
MODULES...

UPLOADING
SOFTWARE ROUTINE
TO VEHICLE...

EXECUTING
SOFTWARE ROUTINE...

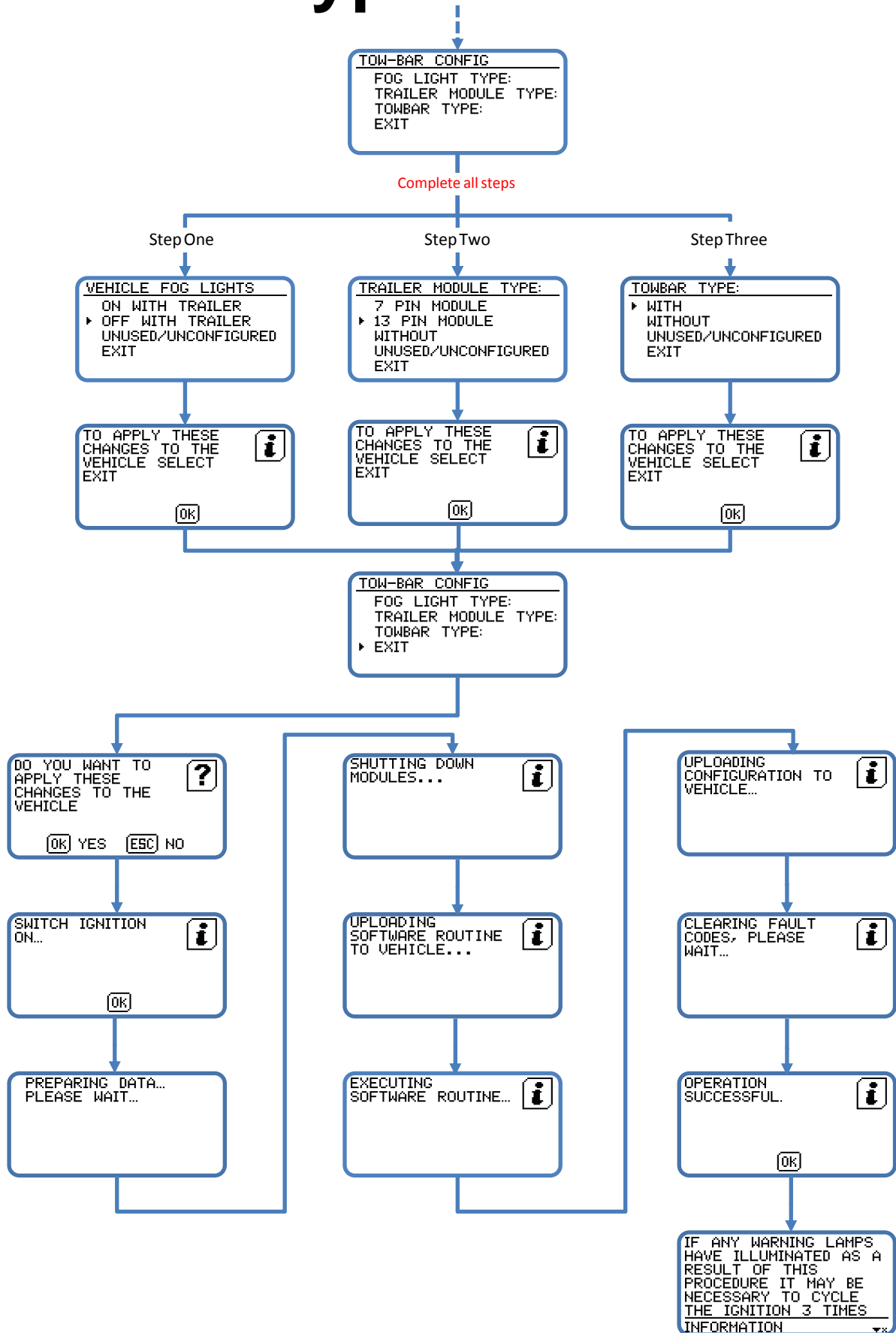
DOWNLOADING
CONFIGURATION
FROM VEHICLE...

VIN:
WFO 063
FOG LIGHT TYPE:
UNUSED/UNCONFIGURED
TRAILER MODULE TYPE:
WITHOUT
TOWBAR TYPE:
WITHOUT
EUCD CHECKSUM:
0x75
VEHICLE DATA

Download another copy
of the configuration
from the vehicle


TOW-BAR CONFIG
▶ FOG LIGHT TYPE:
TRAILER MODULE TYPE:
TOWBAR TYPE:
EXIT

Ford Type 1 Continued




Ford Type 2

SELECT SYSTEM
DIAG.SOCKET LOCATION
▶ TOWBAR CONFIG PID

VEHICLE MODEL:
MONDEO 2015
IS THIS CORRECT? 
 YES NO

CODING:
▶ GUIDED CONFIGURATION
MANUAL CONFIGURATION
EXIT

TOWBAR CONFIGURATION
▶ ALL ECUS
ANTILOCK BRAKING
ACCESSORY INTERFACE
BODY CONTROL MODULE
FRONT CONTRL/DISPLAY

PLEASE WAIT...
LOCATING ECU 5 OF 9
CURRENT ECU:
INSTRUMENT CLUSTER


The next screen will display a list of all possible ECUs and which are fitted to the vehicle



ANTILOCK BRAKING
PRESENT
ACCESSORY INTERFACE
PRESENT
BODY CONTROL MODULE
PRESENT
ALL ECUS

FRONT CONTRL/DISPLAY
PRESENT
INSTRUMENT CLUSTER
PRESENT
PARKING AID MODULE
PRESENT
ALL ECUS

OBJECT DETECT (LEFT)
NOT PRESENT
OBJECT DETECT (RIGHT)
NOT PRESENT
TRAILER MODULE
PRESENT
ALL ECUS

Note: Most after-market trailer modules do not need to be configured and do not support diagnostics, therefore they will be listed as 'NOT PRESENT'.

   
VIEW CODING

PLEASE WAIT...
READING ECU 2 OF 7 
CURRENT ECU:
ACCESSORY INTERFACE


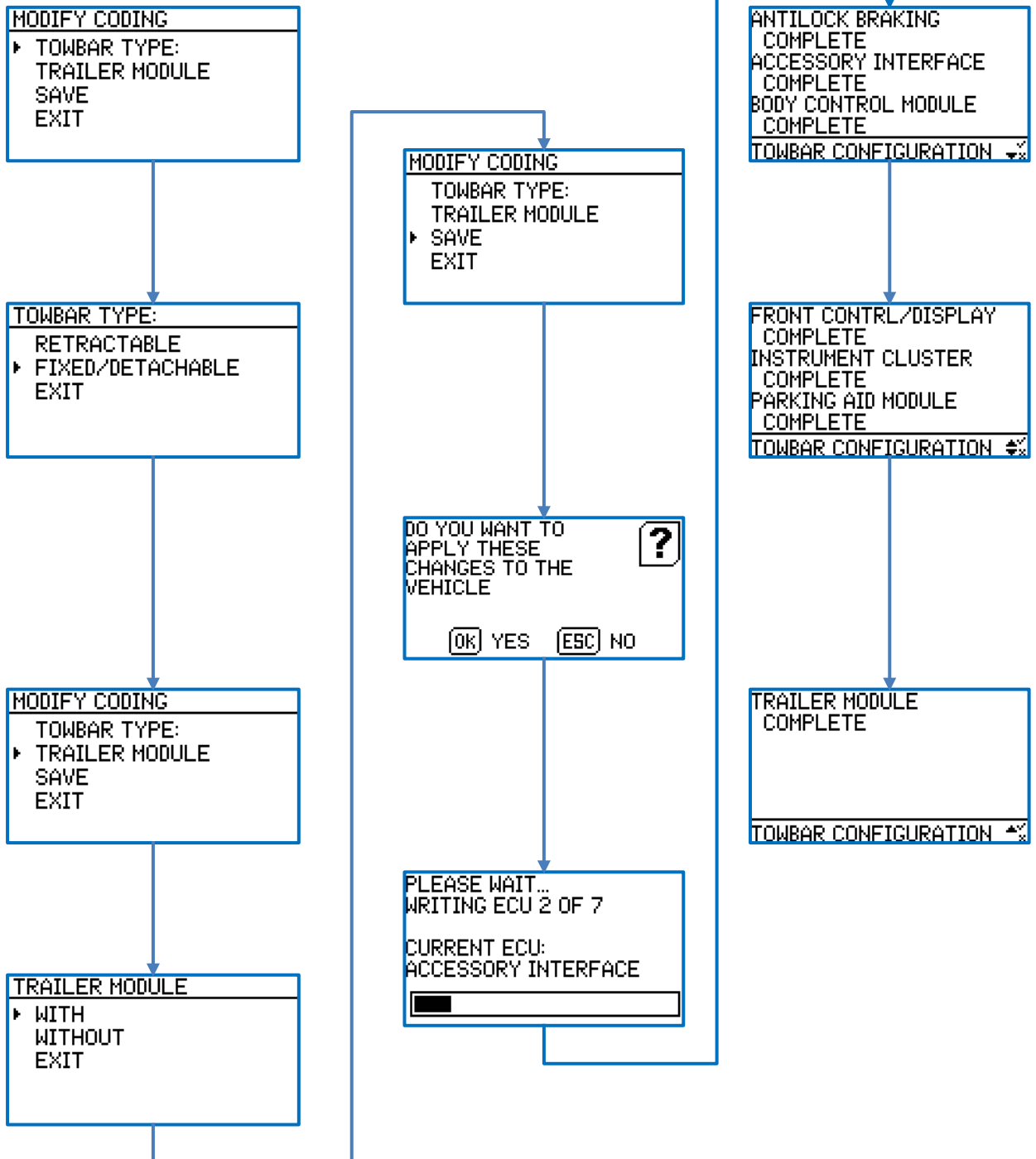
ANTILOCK BRAKING
WITHOUT
ACCESSORY INTERFACE
WITHOUT
BODY CONTROL MODULE
WITHOUT
TOWBAR CONFIGURATION

FRONT CONTRL/DISPLAY
WITHOUT
INSTRUMENT CLUSTER
WITHOUT
PARKING AID MODULE
WITHOUT
TOWBAR CONFIGURATION

TRAILER MODULE
FIXED/DETACHABLE
TOWBAR CONFIGURATION

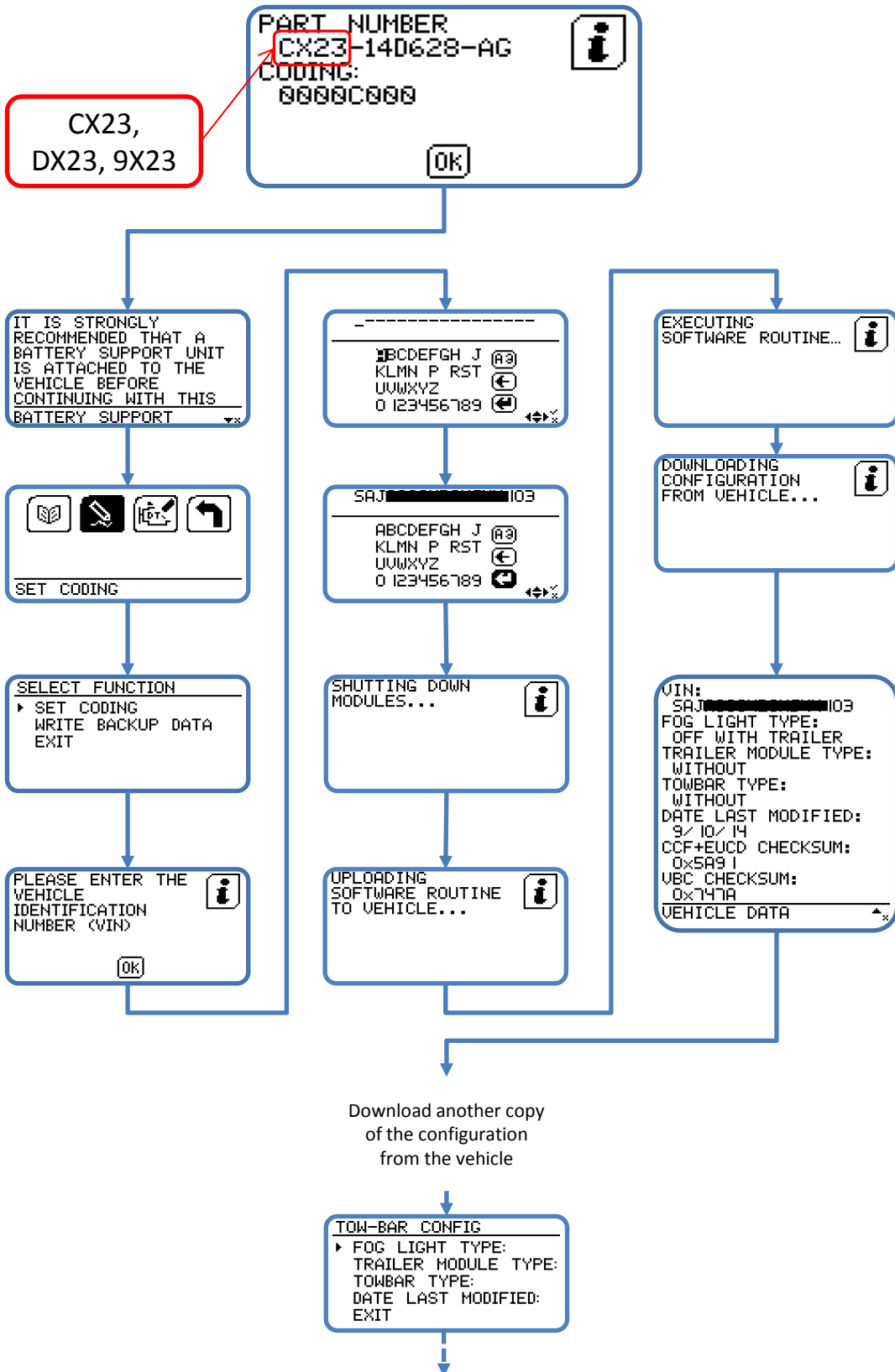
   
MODIFY CODING

Ford Type 2 Continued

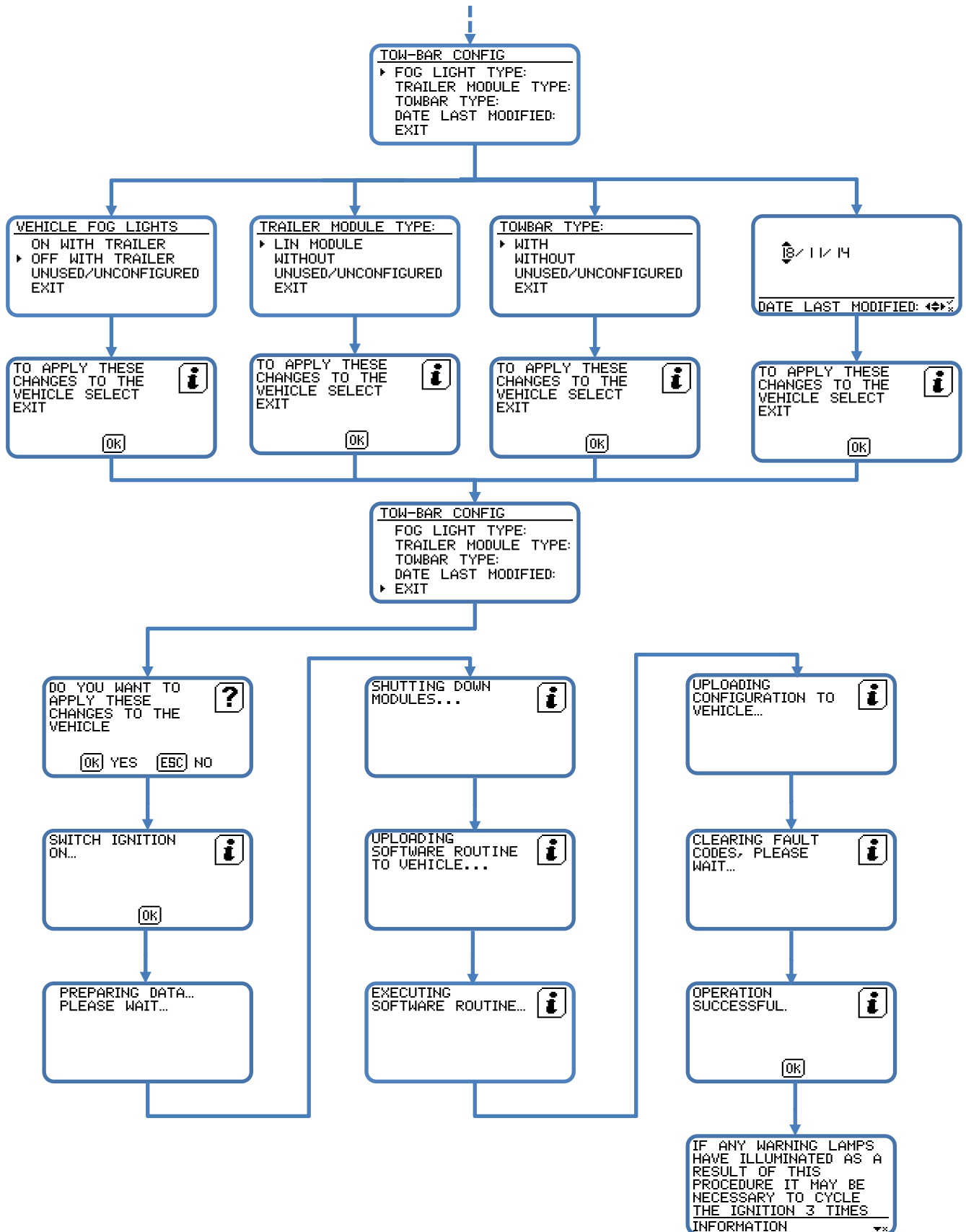


Jaguar

Switch Ignition On



Jaguar Continued



Land Rover Type 1

PART NUMBER
7G9T-14A023-DC
CODING:
00FF8000

6G9T, 7G9T, AG9T,
BG9T

SET CODING

IT IS STRONGLY
RECOMMENDED THAT A
BATTERY SUPPORT UNIT
IS ATTACHED TO THE
VEHICLE BEFORE
CONTINUING WITH THIS
BATTERY SUPPORT

TOW-BAR CONFIG
▶ SET CODING
WRITE BACKUP DATA
EXIT

PLEASE ENTER THE
VEHICLE
IDENTIFICATION
NUMBER (VIN)

BCDEFGHJK
LMNPRSTUW
XYZ .,-
0 123456789

WFOEXXGBBE7M500 IS

BCDEFGHJK
LMNPRSTUW
XYZ .,-
0 123456789

PREPARING DATA...
PLEASE WAIT...

VIN:
WFOEXXGBBE7M500 IS
TRAILER MODULE TYPE:
WITHOUT
TOWBAR TYPE:
WITHOUT
VEHICLE DATA

TOW-BAR CONFIG
▶ TOWBAR TYPE:
TRAILER MODULE TYPE:
EXIT

TOWBAR TYPE:
7 PIN
▶ 13 PIN
WITHOUT
EXIT

PREPARING DATA...
PLEASE WAIT...

TO APPLY THESE
CHANGES TO THE
VEHICLE SELECT
EXIT

TOW-BAR CONFIG
TOWBAR TYPE:
▶ TRAILER MODULE TYPE:
EXIT

TRAILER MODULE TYPE:
▶ WITH
WITHOUT
EXIT

TO APPLY THESE
CHANGES TO THE
VEHICLE SELECT
EXIT

PREPARING DATA...
PLEASE WAIT...

TOW-BAR CONFIG
TOWBAR TYPE:
TRAILER MODULE TYPE:
▶ EXIT

DO YOU WANT TO
APPLY THESE
CHANGES TO THE
VEHICLE

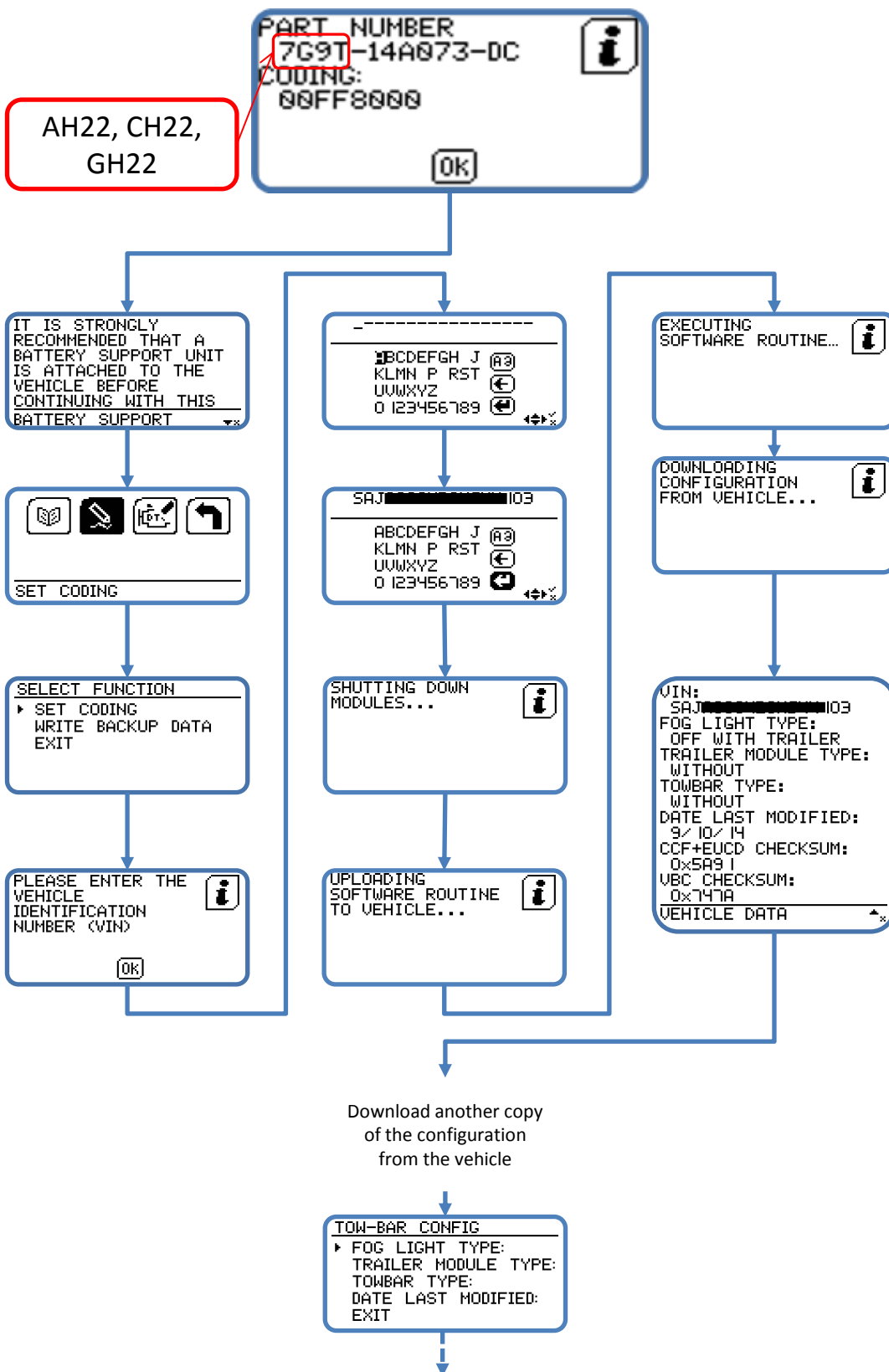
OK YES ESC NO

PREPARING DATA...
PLEASE WAIT...

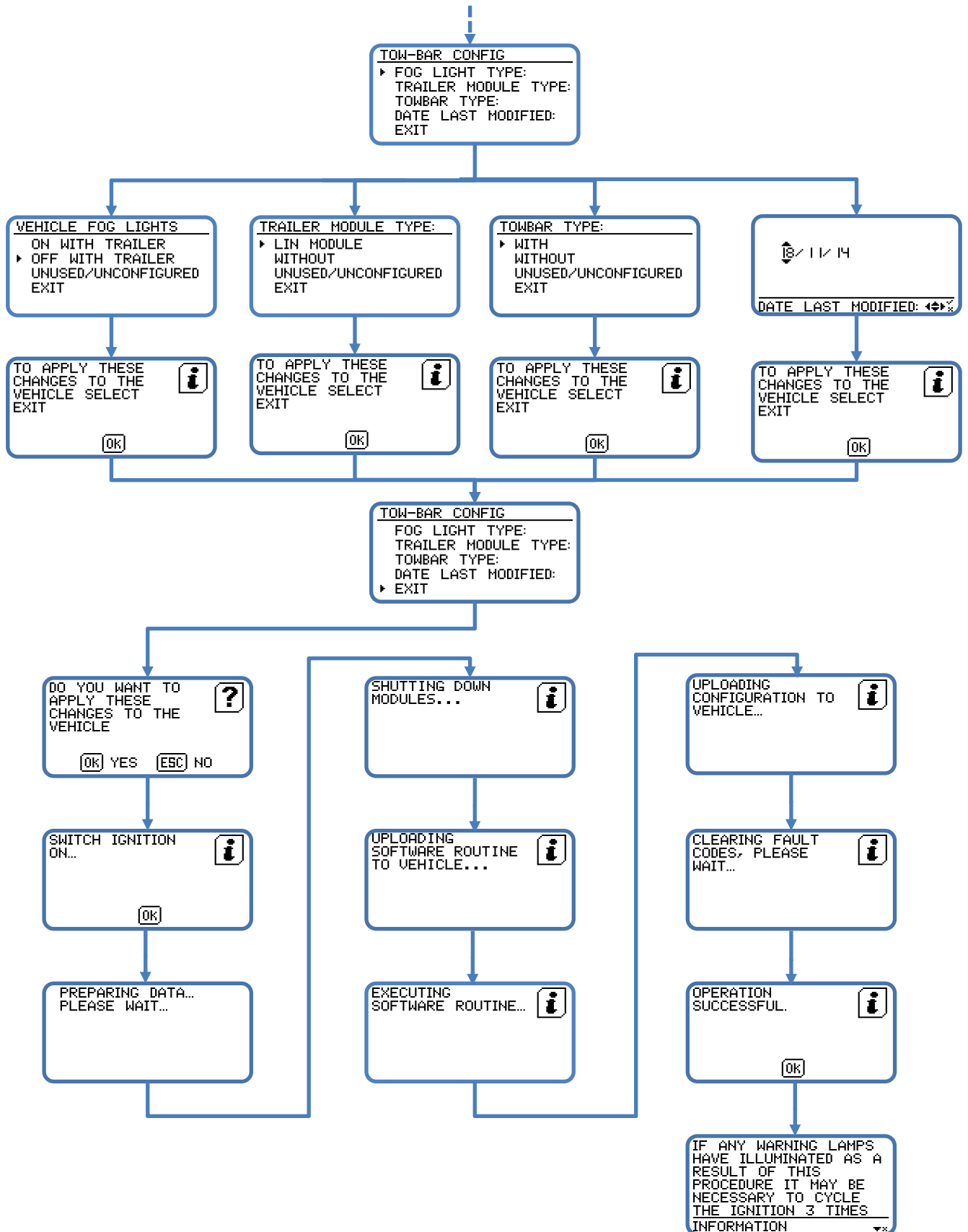
OPERATION
SUCCESSFUL.

Landrover Type 2

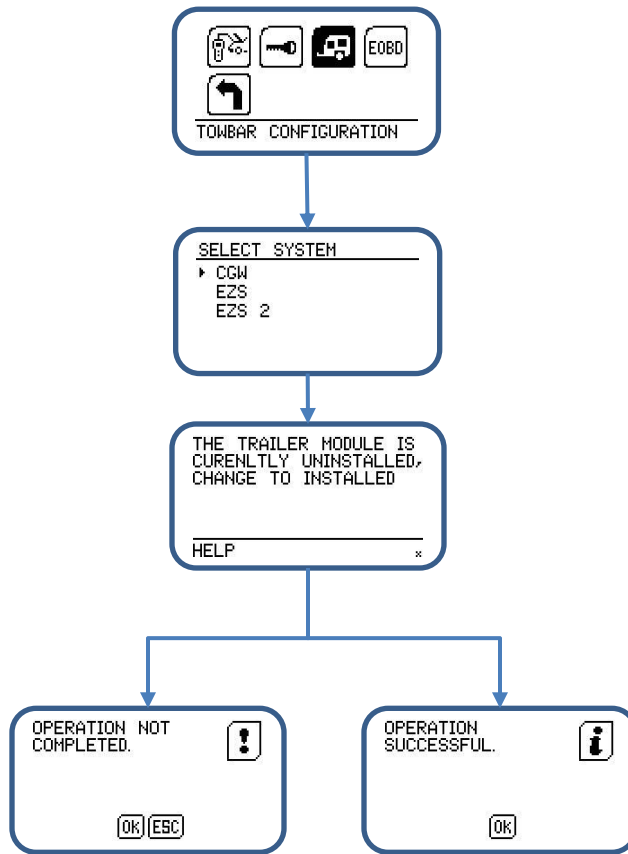
Switch Ignition On



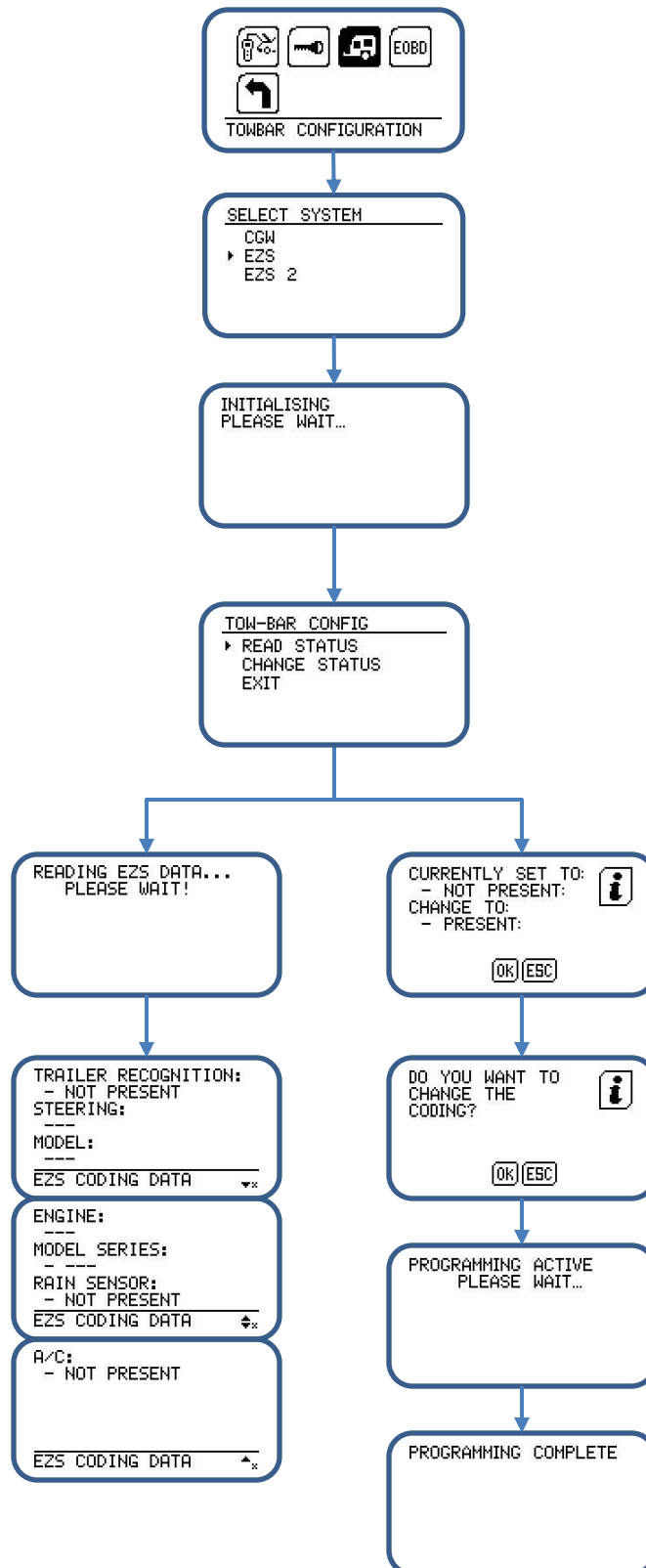
Landrover Continued



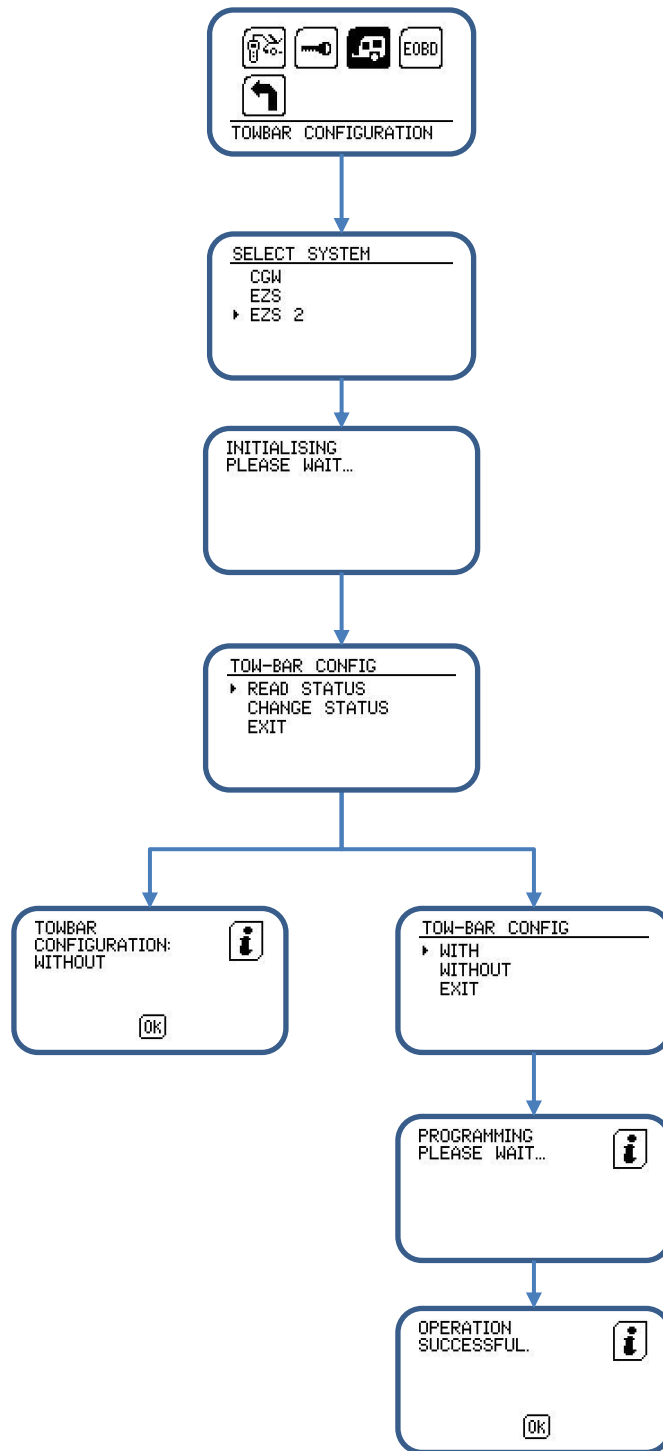
Mercedes - CGW



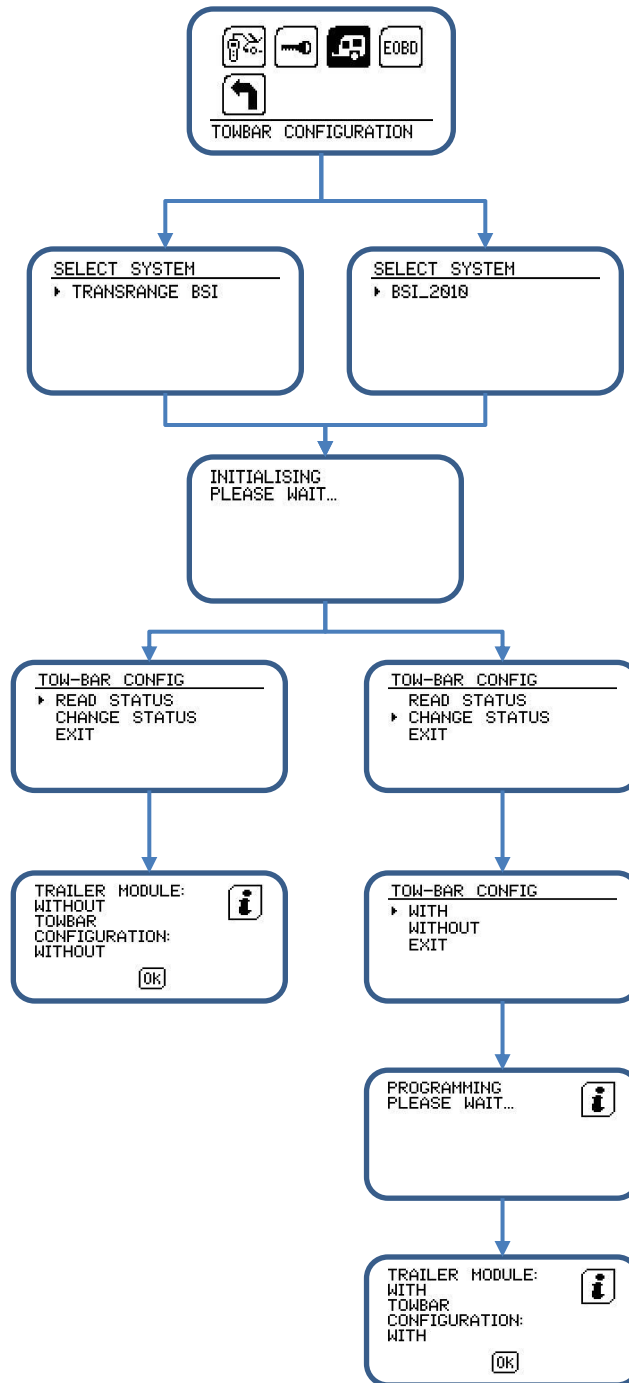
Mercedes - EZS



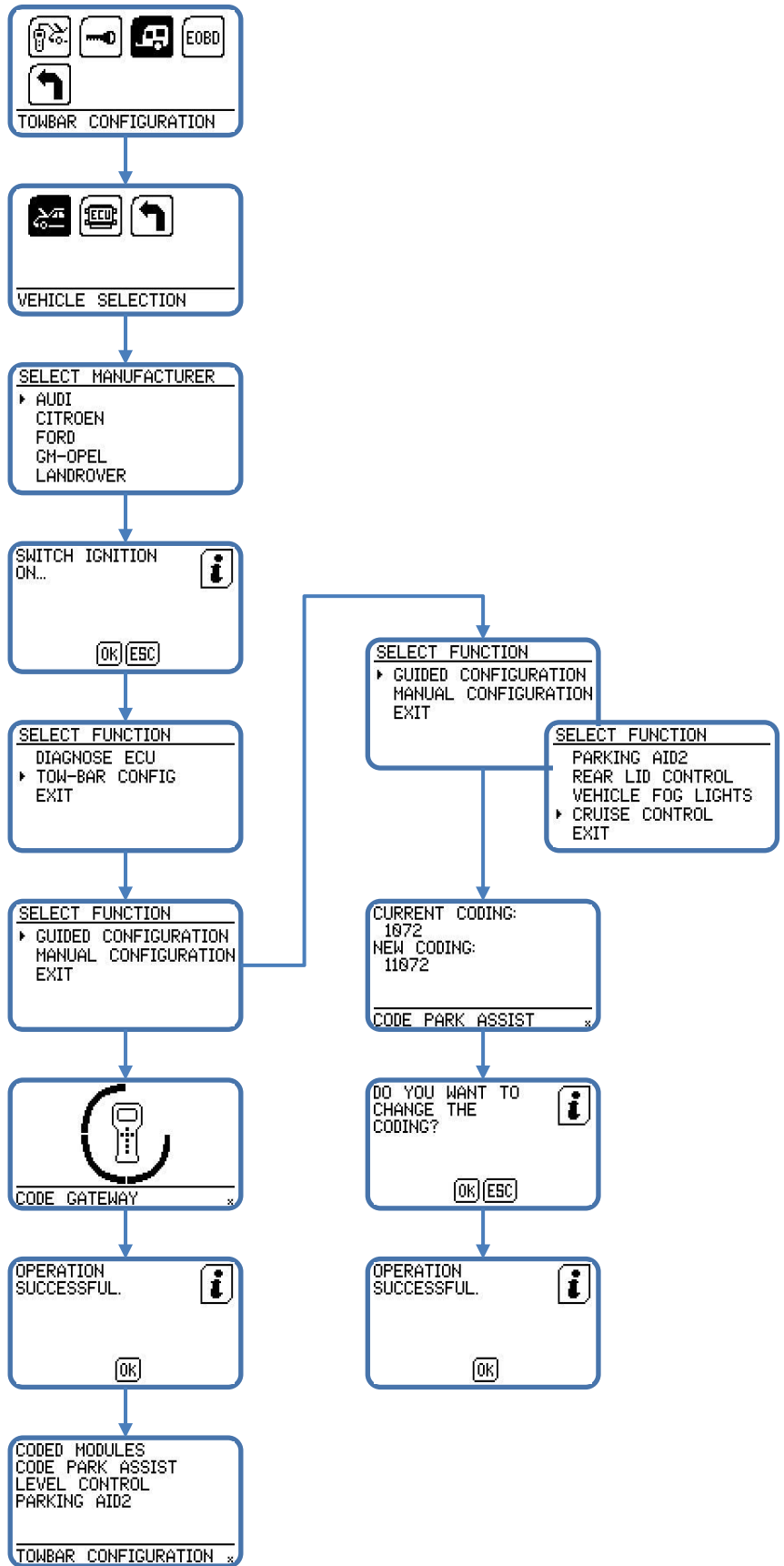
Mercedes – EZS 2



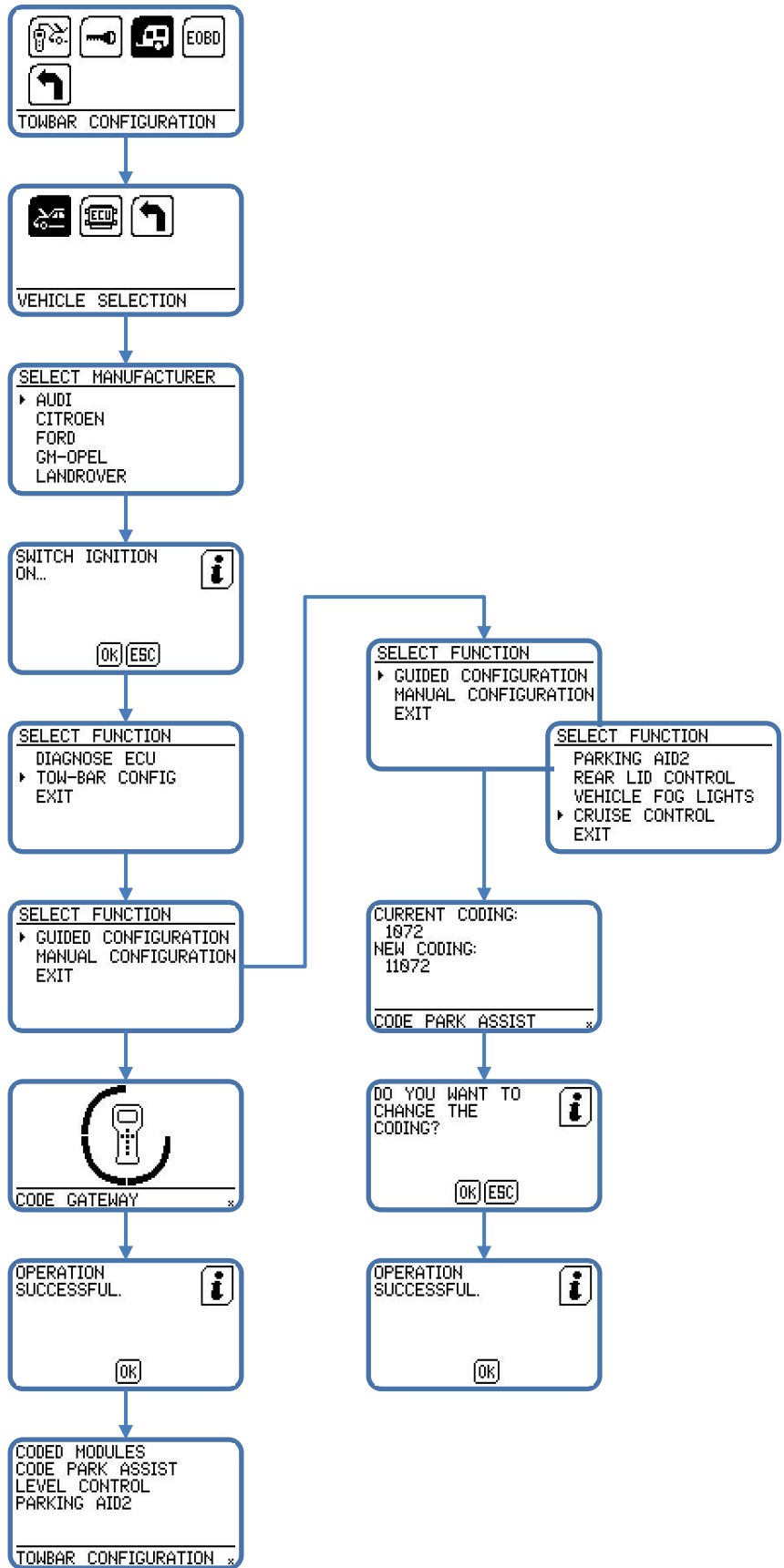
Peugeot



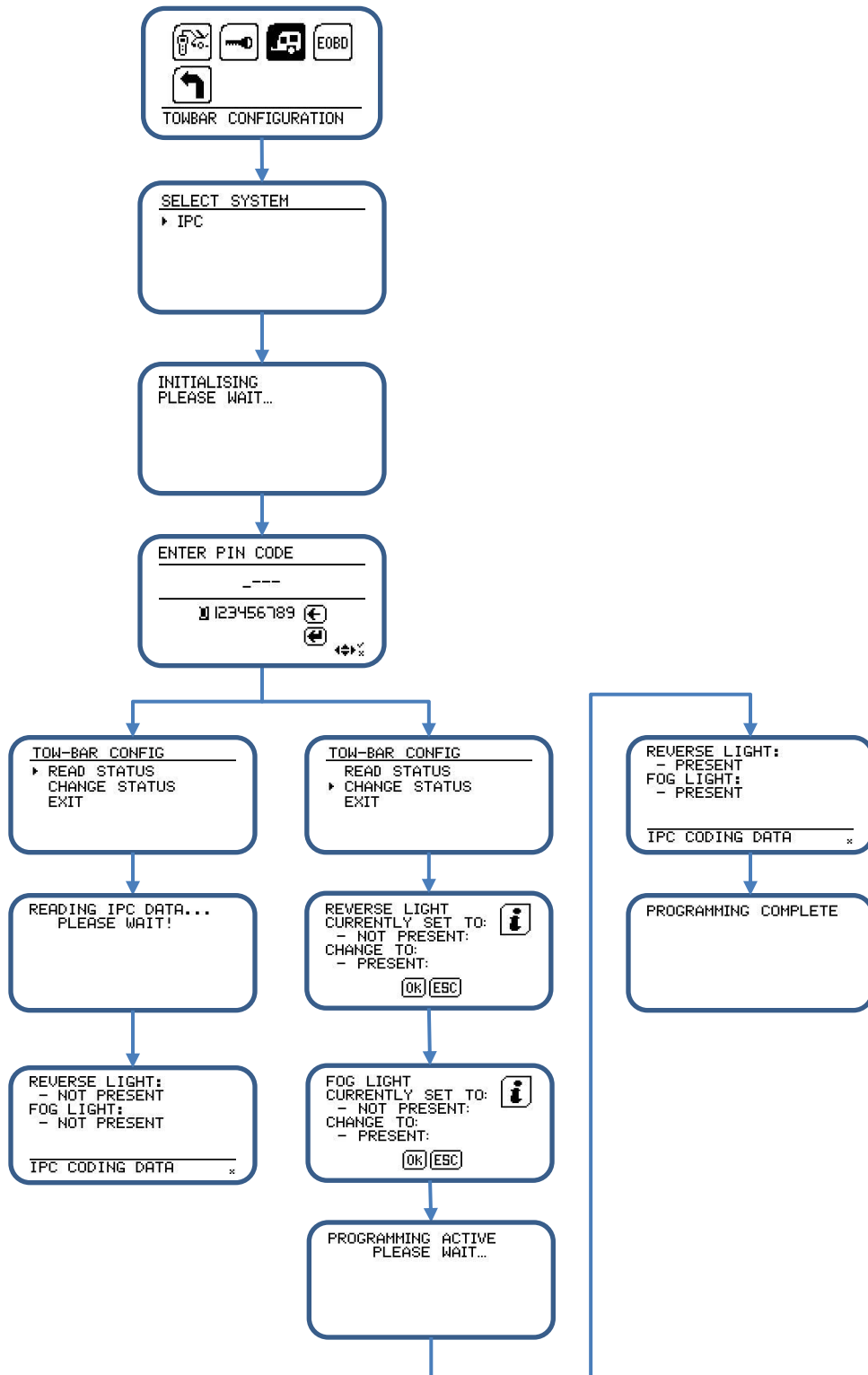
Seat



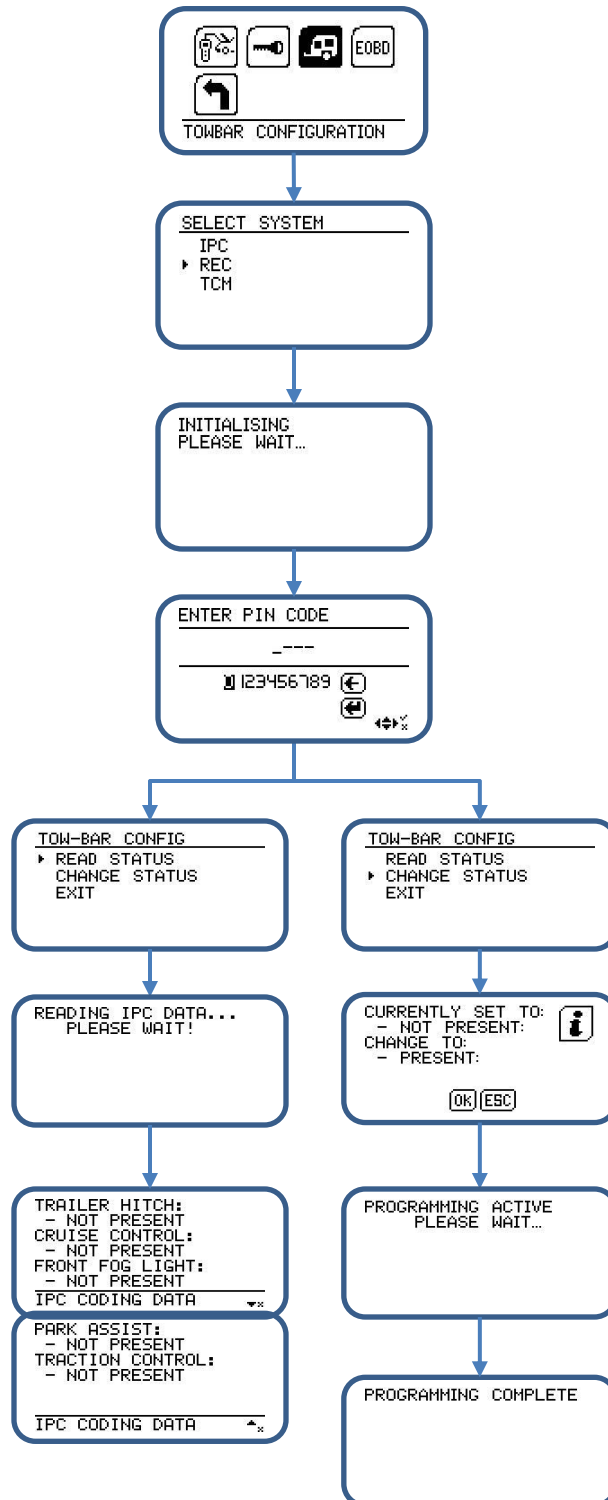
Skoda



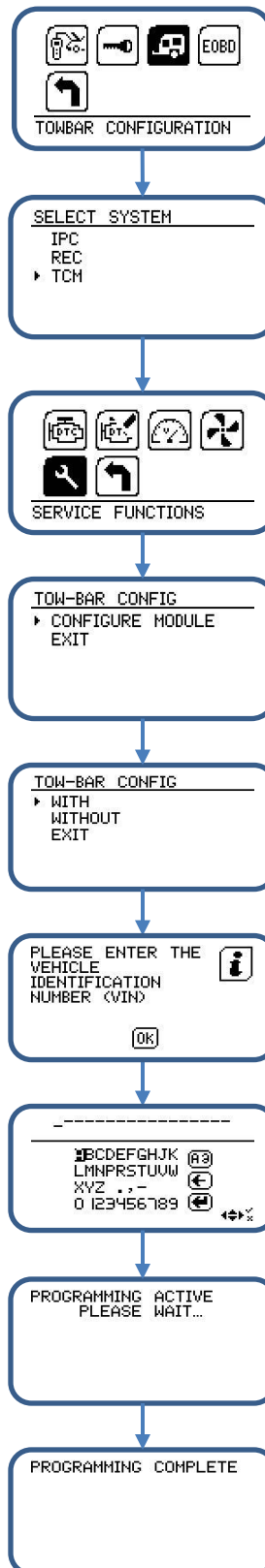
Vauxhall / Opel - IPC



Vauxhall / Opel - REC



Vauxhall / Opel - TCM



Volkswagen

